

PNC	Model	Ref	Group	Level	Page	Notes
237200	FCZ061ETA2	a	FCZ	Touch	2...11	400V 3N 50hz
237210	FCZ061ETH2	b	FCZ	Touch	2...11	400V 3N 50Hz P80
237220	FCZ061ETN2	c	FCZ	Touch	2...11	230V 3N
238200	FCZ061EBA2	d	FCZ	Level B	2...11	400V 3N 50hz
238210	FCZ061EBH2	e	FCZ	Level B	2...11	400V 3N 50Hz P80
238220	FCZ061EBN2	f	FCZ	Level B	2...11	230V 3N
238230	FCZ061EBC2	g	FCZ	Level B	2...11	200V 3 60Hz Japan
239200	FCZ061ECA2	h	FCZ	Level C	2...11	400V 3N 50hz
239210	FCZ061ECH2	m	FCZ	Level C	2...11	400V 3N 50Hz P80 model
239220	FCZ061ECN2	n	FCZ	Level C	2...11	230V 3N
267200	AOS061ETA1	o	AOS	Touch	2...11	400V 3N 50hz
267210	AOS061ETH1	p	AOS	Touch	2...11	400V 3N 50Hz P80 model
267220	AOS061ETN1	q	AOS	Touch	2...11	230V 3N
267230	AOS061ETC1	r	AOS	Touch	2...11	200V 3 60Hz Japan
267240	AOS061ETE1	s	AOS	Touch	2...11	440V 3 Marine
267250	AOS061ETF1	t	AOS	Touch	2...11	400V 3 Marine
267280	AOS061ETM1	u	AOS	Touch	2...11	208V 3 USA
267290	AOS061ETB1	v	AOS	Touch	2...11	240V 3 USA
267320	AOS061ETV1	w	AOS	Touch	2...11	480V 3 USA
267300	AOS061ETK1	z	AOS	Touch	2...11	400V 3N UK version
268200	AOS061EBA2	B	AOS	Level B	2...11	400V 3N 50hz
268210	AOS061EBH2	C	AOS	Level B	2...11	400V 3N 50Hz P80 model
268220	AOS061EBN2	D	AOS	Level B	2...11	230V 3N
268230	AOS061EBC2	E	AOS	Level B	2...11	200V 3 60Hz Japan
268240	AOS061EBE2	F	AOS	Level B	2...11	440V 3 Marine
268250	AOS061EBF2	G	AOS	Level B	2...11	400V 3 Marine
268300	AOS061EBK2	H	AOS	Level B	2...11	400V 3N UK version
269200	AOS061ECA2	L	AOS	Level C	2...11	400V 3N 50hz
269210	AOS061ECH2	M	AOS	Level C	2...11	400V 3N 50Hz P80 model
269220	AOS061ECN2	N	AOS	Level C	2...11	230V 3N
269300	AOS061ECK2	O	AOS	Level C	2...11	400V 3N UK version
269330	AOS061ECY2	P	AOS	Level C	2...11	400V 3N Bakery
269280	AOS061ECM1	Q	AOS	Level C	2...11	208V 3 USA
266200	AOS061EKA1	R	AOS	Level K	2...11	400V 3N 50Hz
266220	AOS061EKN1	S	AOS	Level K	2...11	230V 3N
266280	AOS061EKM1	T	AOS	Level K	2...11	208V 3 USA

Pag	Index	Indice	Note
2	Oven cabinet and door.	Cella forno e porta	
3	Water system	Impianto idraulico	
4	Boiler	Boiler	
5	Electrical components	Componenti elettrici	
6	Accessories	Accessori	
7...10	Spare parts list	Lista ricambi	

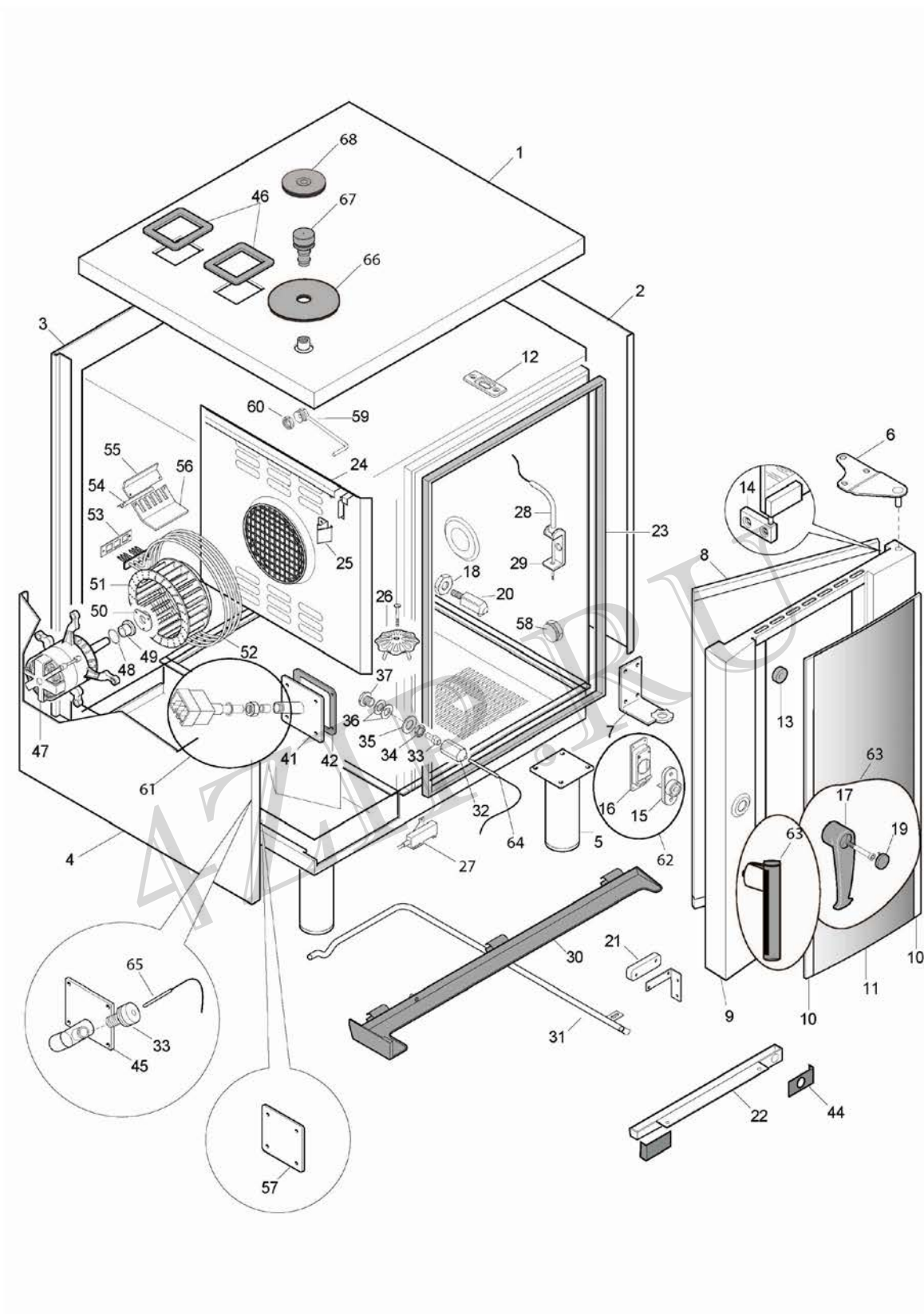
Brand/Marchio: All
 Factory code: 9PDD

From sr. Nr/ Da Ser. Nr.: 014
 From status level / Da scatto: 07

Page: 1

Ed. 2012 05

Doc. Nr.: **875400T00**



From sr. Nr/ Da Ser. Nr.: 014
 From status level / Da scatto: 07

Page: 2

Ed. 2012 05

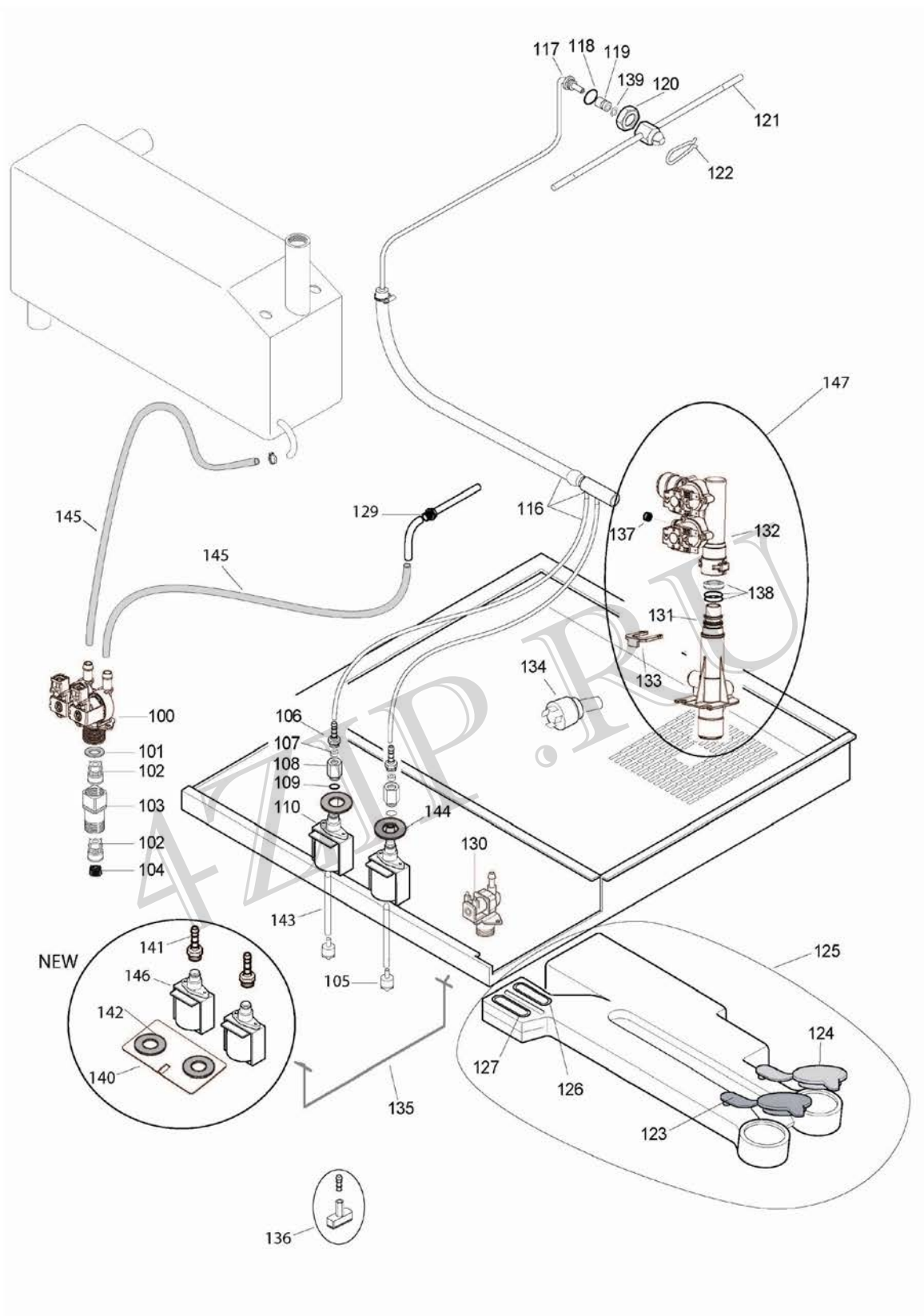
Doc. Nr.: **875400T00**

??????	268200									
??????	875400T00		???????? 2					Oven cabinet and door.		
Поз.	Код запчас	Код Alias	Замена н на	S	Инфо	Ком пле	Тех. Бюллет	Описание	Заметки	Цена (Еуро)
0001	0C6177	0530891300						LID; ONE 061-101E		149,00
0002	0C6193	0530890800			D			BACK PANEL; ONE 061 MARINE		141,00
0003	0C6189	0530892600						BACK PANEL; ONE 061		103,00
0003	0C6193	0530893000			D			BACK PANEL; ONE 061 MARINE	for Marine models	141,00
0004	0C6195	0530893200						LEFT SIDE; ONE 061		122,00
0005	0C4823	0806872300			C			ADJUSTABLE FOOT; 2"INOX MARIN; 135-210MM	for Marine models	36,72
0005	0C4892	0831850900						FOOT; 2"		11,70
0006	0C4234	0806847803						PLATE; ASSY,UPPER AOSQ		38,00
0007	0C4235	0806861600						PLATE; ASSY.LOWER 6-10 AOSQ		42,20
0008	0C6395	0873869802						DOOR GLASS; INSIDE; LW 6 AOSQ		102,00
0008	0C6575	0850400N00						DOOR CHASSIS; LW061		361,00
0009	0C6051	0518806205						SPRING; FOR GLASS		8,10
0009	0C6600	0879400400						DOOR ASSEMBLY		675,00
0009	0C6605	0879400A00						DOOR ASSEMBLY	for Marine models	675,00
0010	0C4478	0806859202						PROFILE; EST. LW06 AOSQ		40,40
0011	0C4942	0574818301						DOOR GLASS; EXT; ONE 061	for Group FCZ	82,00
0011	0C6558	0574400100						DOOR GLASS; EXTERNAL	for Group AOS	106,00
0012	0C4088	0543839700		S				GASKET		7,90
0013	006976	0543828001		S				SHOCK ABSORBER		4,30
0014	007007	0806822000		S				HINGE		16,00
0015	0C4089	0835871801	0C4477					LOCKING MECHANISM		
0016	0C4237	0510824200		S				SUPPORT; LW06-10 AOSQ		19,40
0017	0C4090	0548871501		S				HANDLE; LW06-10 AOSQ		12,40
0018	0C4238	0516896401						NUT; FOR CATCH AOSQ		11,50
0019	0C4091	0546822600		S				PLUG; LW06-10 AOSQ		6,30
0020	0C4092	0806859900		S				CATCH		36,80
0021	049627	0699603700		S				MAGNET		8,80
0022	0C4239	0528869501						BOWL; LW06-101 AOSQ		55,00
0023	003926	0147098067		S	C			SILICONE SEALANT - RED RTV 106; 310 ML		34,68
0023	0C1496	0543833900		S				GASKET; 475X450MM		122,00
0024	0C4618	0831846702						SUCTION WALL; AOSQ 061 ELT		224,00
0025	0C3423	0518807301						SPRING; SUCTION WALL		18,20
0026	0C1740	0518808600		S				FILTER		12,40
0027	049621	0654600000		S				REED SWITCH		14,20
0028	0C4240	0831831000		S				CORE PROBE; AOSQ T.C.MULTIPOINT	for TOUCH Level	213,00
0028	0C4241	0831830700		S				CORE PROBE; SINGLE POINT AOSQ	for Level B e C	125,00

??????	268200										
??????	875400T00		???????? 2					Oven cabinet and door.			
Поз.	Код запчас	Код Alias	Замена н на	S	Инфо	Ком пле	Тех. Бюллет	Описание	Заметки	Цена (Еуро)	
0029	0C4822	0518816600						SPRING		19,20	
0030	0C4242	0856814000		S				DRIP TRAY; 1/1 AOSQ		40,00	
0031	0C4243	0806858800						HOSE		34,50	
0032	006991	0516855300						NUT		8,60	
0033	0C4872	0543842600						PLUG; FOR SENSOR	for Level TOUCH e B	7,10	
0034	020997	0214105101		S				LOCK NUT		1,20	
0035	002700	0508838701		S				WASHER		15,20	
0036	002624	0543816300		S				GASKET; SET 50 PCS		21,40	
0037	002623	0516809400						PIPE FITTING		9,90	
0041	0C4244	0806857201						FLANGE; FOR LAMBDA SONDE	for TOUCH Level	43,20	
0042	0C4093	0543838300						GASKET		10,70	
0044	0C4094	0543841300						GASKET		10,30	
0045	0C6351	0806873000						TUBE; WITH FLANGE	for Level B	44,90	
0046	007005	0543828901		S				GASKET		5,40	
0047	006998	0611806001		S				MOTOR ;190W 230 V 50/60 HZ	for Level TOUCH e B	217,00	
0047	0C1474	0611807300						MOTOR; 190W 230V 50/60 HZ 4/6 P; USA	for 208V,240V	211,00	
0047	0C5287	0611809000		S				MOTOR; 1F 4P 190W 200-240V	for Level C	186,00	
0047	0C6936	0611400100						MOTOR; 480V-190W	for 480V	235,00	
0048	002873	0543816700		S				SEALING RING		2,40	
0049	002699	0516808902		S				MOTOR BEARING		17,50	
0050	0C4138	0538815400		S				FLANGE		5,60	
0051	0C7029	0835400C00						FAN BLADE		177,00	
0052	006986	0617826300	0C5363					HEATING ELEMENT; 3,2 KW 230V	for 230V models		
0052	0C0947	0617826400	0C7053					HEATING ELEMENT; 3,2KW 440V	for 440V models	124,00	
0052	0C1476	0617829100						HEATING ELEMENT; 3,2KW UL ; USA	for 208V USA	125,00	
0052	0C1498	0617829700						HEATING ELEMENT; 3,2KW 240V; USA	for 240V USA	126,00	
0052	0C6025	0617838800	0C6984		D			HEATING ELEMENT; 200V-3200W; W/PIVOT	for 200V models		
0052	0C6500	0617400700	0C5362	S				HEATING ELEMENT; 400V-3200W	for 400V models		
0052	0C6943	0617400500						HEATING ELEMENT; 480V-3200W	for 480V USA	125,00	
0053	002689	0543816501		S				HEATING ELEMENT GASKET		27,30	
0054	007002	0527834500						ANGLE		10,50	
0055	006256	0503891801		S				BLADE		14,40	
0056	007001	0527834400						SUPPORT		8,70	
0057	0C4857	0527898900						PLAQUE	for Level C	6,20	
0058	0C6296	0516892000			D			PIVOT; FOR CORE PROBE		10,60	
0059	0C4974	0856828300						WATER PIPE; ONE 061 LIV.C	for Level C	43,00	

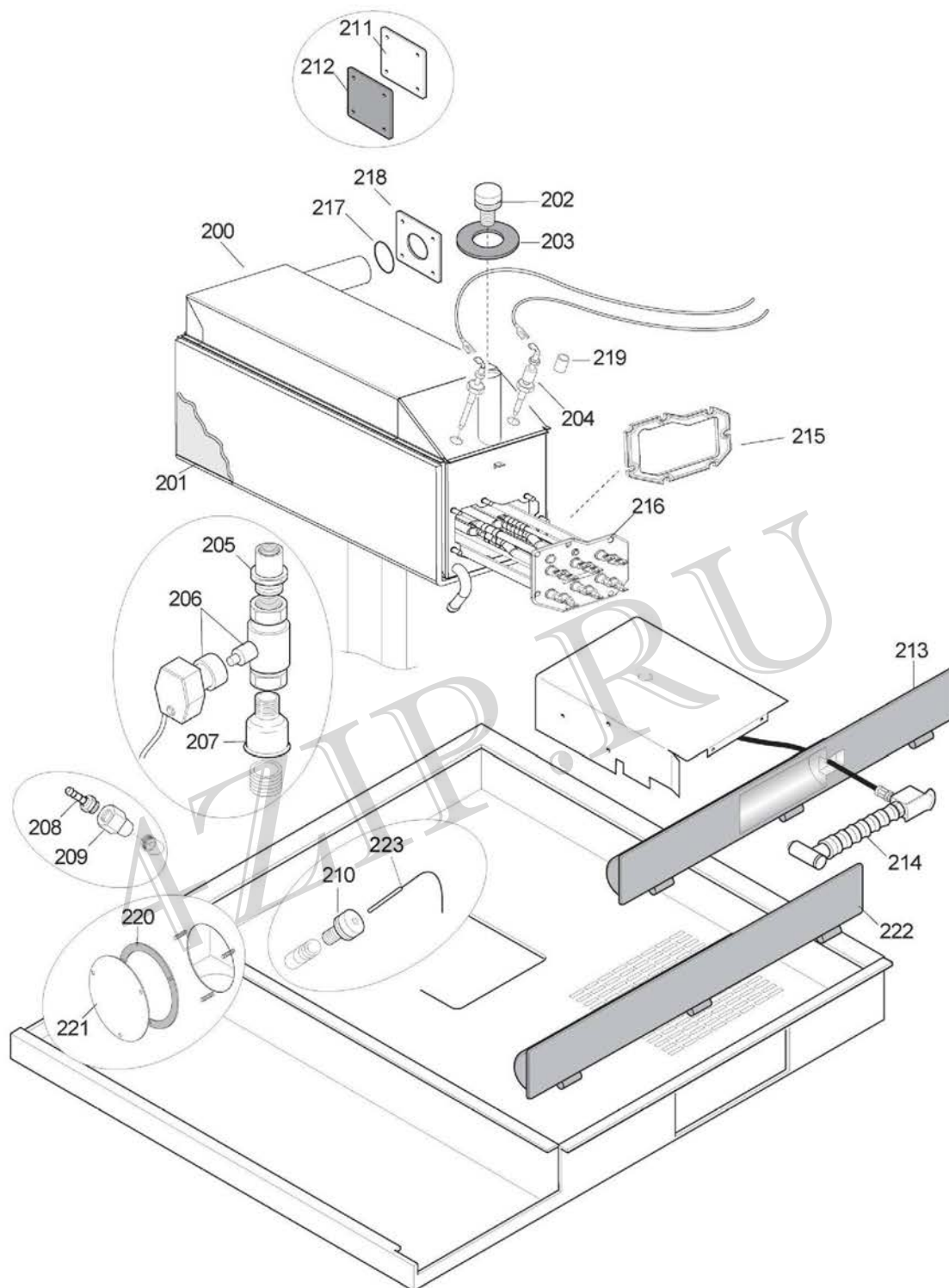
??????	268200									
??????	875400T00	???????? 2						Oven cabinet and door.		
Поз.	Код запчас	Код Alias	Замена на	S	Инфо	Компле	Тех. Бюллет	Описание	Заметки	Цена (Euro)
0060	0C6228	0516887101						PIPE FITTING	for Level C	20,40
0061	0C6465			S		Kit	PDD2011-10	LAMBDA PROBE; KIT	for level Touch	148,00
0062	0C4477	0835872001		S			PDD2010-11	DOOR CLOSING ASSY; AOSQ 6-10		151,00
0063	0C6569	0830400500						DOOR HANDLE	for AOS Group	58,00
0063	0C6572	0830400600						HANDLE; ASSY	for FCZ Group	16,60
0064	0C7028	0830400N00		S				SENSOR		42,90
0065	0C6539	0830899101		S				TEMPERATURE PROBE; L=1100MM		41,00
0066	0C7016	0543400900		S				GASKET		3,90
0067	002692	0543816601		S				PLUG		6,60
0068	0C4965	0543843201						BUFFER		11,50

4ZIP.RU



??????	268200									
??????	875400T00	???????? 3	Water system							
Поз.	Код запчас	Код Alias	Замена на	S	Инфо	Компле	Тех. Бюллет	Описание	Заметки	Цена (Евро)
0100	0C5385	0835872300		S				CLAMP; DN 16X8		1,70
0100	0C5516	0696808300		S				WATER SOLENOID VALVE; 2 VIE/180 2,5L/MIN	for Level TOUCH e B	30,70
0100	0C5829	0544819400	0C4832	S				TUBE; BLU; 10X17; BY METER		
0101	0C4096	0543840600		S				GASKET; FOR FILTER		1,20
0102	0C2312	0549801800		S				NONRETURN VALVE		5,40
0103	0C2313	0516879400		S				PIPE FITTING	for Level TOUCH e B	32,00
0104	000000									
0105	0C1155	0831811400		S				FILTER; ASS.		15,00
0106	0C4198	0516896101		S				RUBBER HOLDER; G1/4" DIA 4 MM		13,00
0107	0C1117	0544809000		S				NONRETURN VALVE		7,00
0108	0C1116	0516871900		S				PIPE FITTING		10,50
0109	0C1935	0543832300		S				O-RING		1,00
0110	0C2309			S				TUBE; BY METER		6,30
0110	0C2341	0680801201	0C5371					PUMP		
0110	0C2342	0680801301		S				ELECTRIC PUMP; E512 10 EN02120C3 CEME UL	for USA models	63,00
0116	0C6202	0805400200		S				MANIFOLD; ASSY; C.S.ONE 061-101		32,90
0117	0C6031	0806871100						DUCT; ASSY		41,90
0118	0C4201	0543841400		S				GASKET; 17X22X1,5		2,30
0119	0C4467	0516898301		S				BEARING; FCS 6		6,40
0120	0C4202	0878400900		S				LOCK NUT; INOX M16X1.5X6H		5,90
0121	0C5503	0806873900	0C8317	S				WASH ARM; ASSY; L=422MM		69,00
0122	007026	0518807100		S				SPRING		13,50
0123	0C1151	0544808100		S				PLUG BLU		3,10
0124	0C1152	0544808200		S				RED CAP		2,80
0125	0C4426	0873857102		S				RESERVOIR; ASSY		54,00
0126	0C1154	0544808900						WALL RED		3,90
0127	0C1153	0544808400						WALL BLU		3,90
0129	007012	0H22982600						PIPE	for Level TOUCH e B	30,20
0129	0C4977	0856828600		S				WATER PIPE; ONE 061-101-201 LIV. C	for Level C	29,00
0130	0C5515	0696808200		S				WATER SOLENOID VALVE; 1 VIA/180°	for Level C	17,90
0131	0C6370	0831857200		S				MANIFOLD; ASSY		42,60
0132	0C6373	0696400100		S				WATER DISTRIBUTOR; 1U-230V 1U-110V 50/60	for Level C	71,00
0132	0C6374	0696808600		S				WATER DISTRIBUTOR; 2 OUTPUP: 230V 50/60H	for Level TOUCH USA	66,00
0132	0C6406	0696400300		S				WATER DISTRIBUTOR; 1U.230V- 50/60HZ	for Level TOUCH e B	56,00
0133	0C6222	0546825100		S				SAFETY DEVICE		5,80
0134	0C6217	0646817200		S				PRESSURE SWITCH; GP600		32,80

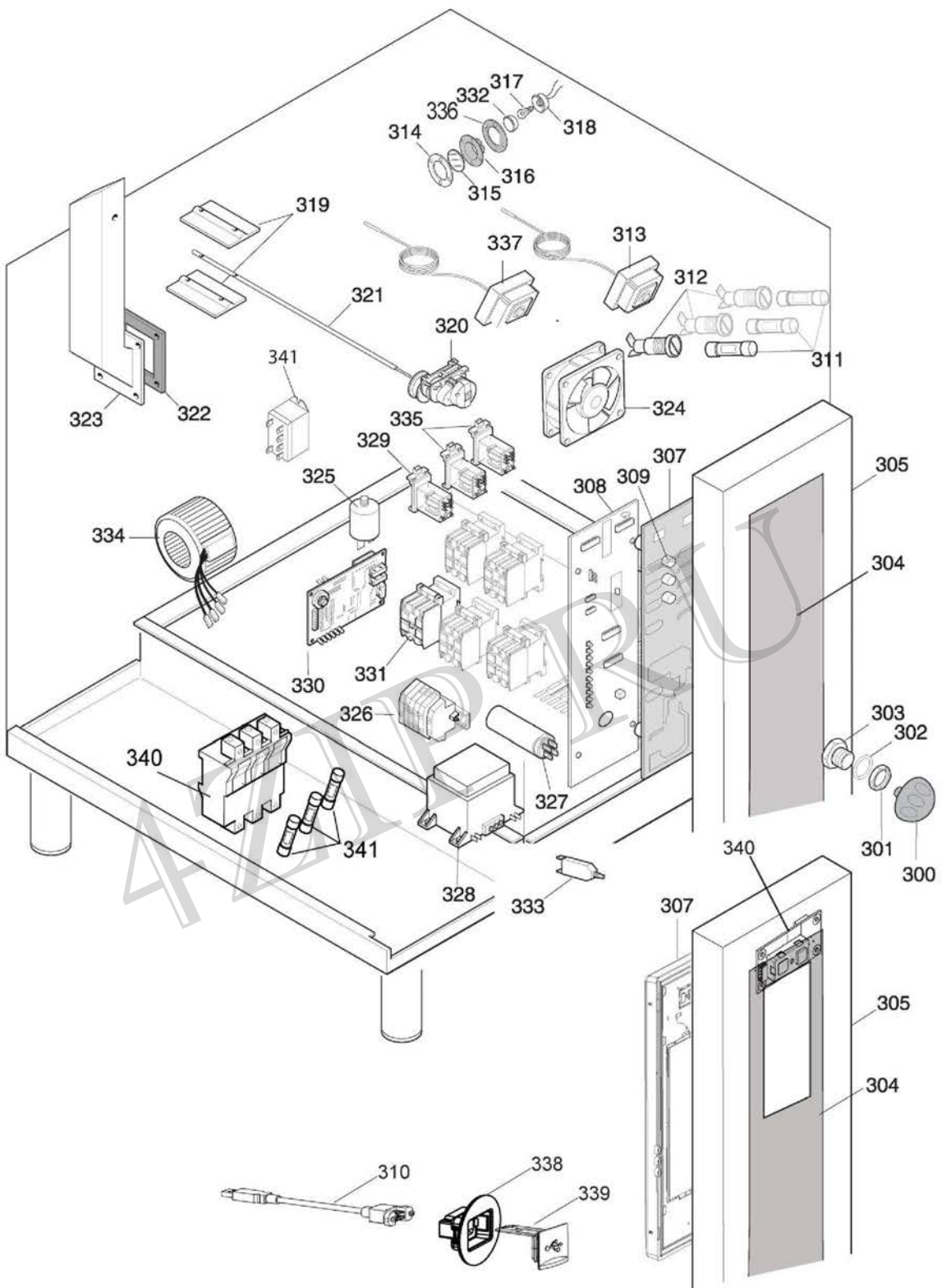
??????	268200									
??????	875400T00	???????? 3	Water system							
Поз.	Код запчас	Код Alias	Замена на	S	Инфо	Компле	Тех. Бюллет	Описание	Заметки	Цена (Euro)
0135	0C5426	0513805000		S				STIRRUP		13,50
0136	0C6467			S		Kit		TANK SUPPORT; KIT		4,10
0137	0C6375			S		Kit		FLOW REDUCER; KIT 4PCS		10,20
0138	061303			S				RING		1,60
0139	0C6421	0219035015		S				SPRING RING		1,40
0140	0C7924	0505401R00						FIXING PLAQUE		5,10
0141	0C8348	0544400C01						RUBBER HOLDER; DIA.5MM 1/8"		3,90
0142	0C7925	0543400R00						CABLE GROMMET; ØINT 24.6 ØEST 38		3,50
0143	0C2309	0546814600		S				TUBE; BY METER		6,30
0144	005382	0246530100						GROMMET		2,00
0145	0C5829	0544819400	0C4832	S				TUBE; BLU; 10X17; BY METER		
0146	0C8347	0686400100						PUMP; 230-240V 50-60HZ; UL		76,00
0147	0C3464	0835870400						PRESSURE REDUCER; 3/4"		114,00
0147	0C5562	0831854100	0C8316	S	C			FEEDER HOSE; DIA 3/4" L=150 CM		6,12
0147	0C8683	0835400L00								116,00
0147	0C8684	0835400M00							For level C	92,00



??????	268200										
??????	875400T00		???????? 4				Boiler				
Поз.	Код запчас	Код Alias	Замена на	S	Инфо	Ком пле	Тех. Бюллет	Описание	Заметки	Цена (Евро)	
0200	0C5848	0831854701	0C5851					BOILER; ASSY; ELT ONE 6-101	for Level TOUCH e B	262,00	
0200	0C5851	0831855501						BOILER; ASSY; 6-101 ELT. VERS. UK	for Level TOUCH e B - UK	610,00	
0201	0C5836	0569806900						BOILER INSULATION; ELT ONE 061-101	for Level TOUCH e B	63,00	
0202	002692	0543816601		S				PLUG	for Level TOUCH e B	6,60	
0203	002634	0543817500	0C7016					BUFFER	for Level TOUCH e B	6,20	
0203	0C4965	0543843201						BUFFER	for Level C	11,50	
0204	007033	0830890500		S				FEELER	for Level TOUCH e B	33,60	
0205	007117	0516809501		S				CONNECTION	for Level TOUCH e B	14,70	
0205	0C3678	0638893101		S				CABLE; SHIELDED FOR PROBE	for Level TOUCH e B	14,70	
0206	0C0882	0696804201		S				MOTOR-OPERATED VALVE; 3/4" 230V 50/60HZ	for Level TOUCH e B	138,00	
0206	0C5518	0696808500						BALL VALVE; 3/4" USA 240V 50/60HZ	for Level TOUCH USA	140,00	
0207	0C3847	0511820300						REDUCING SLEEVE; 1"1/4F-3/4"M	for Level TOUCH e B	16,10	
0207	0C5122	0544820300						HOSE; L=340 D.I=29/SP.5	for Level TOUCH e B	18,20	
0207	0C5549	0835874500		S				CLAMP	for Level TOUCH e B	2,60	
0208	0C1626	0516872000		S				RUBBER HOLDER		7,30	
0209	0C4099	0516879600						NOZZLE; 1/4"FD3.5-3/8"M	for Level TOUCH e B	19,00	
0210	0C4872	0543842600						PLUG; FOR SENSOR	for Level TOUCH e B	7,10	
0211	0C4856	0527898700						FLANGE	for Level C	6,60	
0212	0C4963	0543842800						GASKET; FOR BOILER	for Level C	18,70	
0213	0C4532	0546815103						FRONT PANEL; LOWER; 6-10 1/1 AOSQ	for Level B P80 models	92,00	
0213	0C4532	0546815103						FRONT PANEL; LOWER; 6-10 1/1 AOSQ	for Level TOUCH	92,00	
0214	0C4248	0873881200		S				SHOWER UNIT; AOSQ	for Level B P80 models	341,00	
0214	0C4248	0873881200		S				SHOWER UNIT; AOSQ	for Level TOUCH	341,00	
0215	0C5834	0543844800		S				HEATING ELEMENT GASKET	for Level TOUCH e B	20,20	
0216	0C5820	0617837000						HEATING ELEMENT; 208V-9000W	for 208V USA models	249,00	
0216	0C5823	0617837600						HEATING ELEMENT; 240V-9000W	for 240V USA models	253,00	
0216	0C5839	0617836300		S				HEATING ELEMENT; 400V-9000W	for 400V models	166,00	
0216	0C5842	0617837300						HEATING ELEMENT; 230V-9000W	for 230V models	205,00	
0216	0C5845	0616838200						HEATING ELEMENT; 440V-9000W	for 440V models	249,00	
0216	0C6023	0617836800			D			HEATING ELEMENT; 200V-9000W	for 200V models	253,00	
0216	0C6938	0617400000						BOILER HEATING ELEMENT; 480V-9000W	for 480V USA models	249,00	
0217	002874	0527898600		S				SEALING RING	for Level TOUCH e B	3,30	
0218	0C4821	0527898600		S				FLANGE	for Level TOUCH e B	7,20	
0219	055347	0515857001		S				SPACER	for Level TOUCH e B	5,70	
0220	0C7033	0543400000		S				GASKET	for level TOUCH	16,80	
0221	0C3443	0J89061403						WASHER; FOR DOOR	for Level TOUCH	14,70	

??????	268200									
??????	875400T00	???????? 4	Boiler							
Поз.	Код запчас	Код Alias	Замена на	S	Инфо	Компле	Тех. Бюллет	Описание	Заметки	Цена (Euro)
0222	0C8597	0546821401			D			FRONT PANEL	Level C e B	20,00
0223	000000									

4ZIP.RU

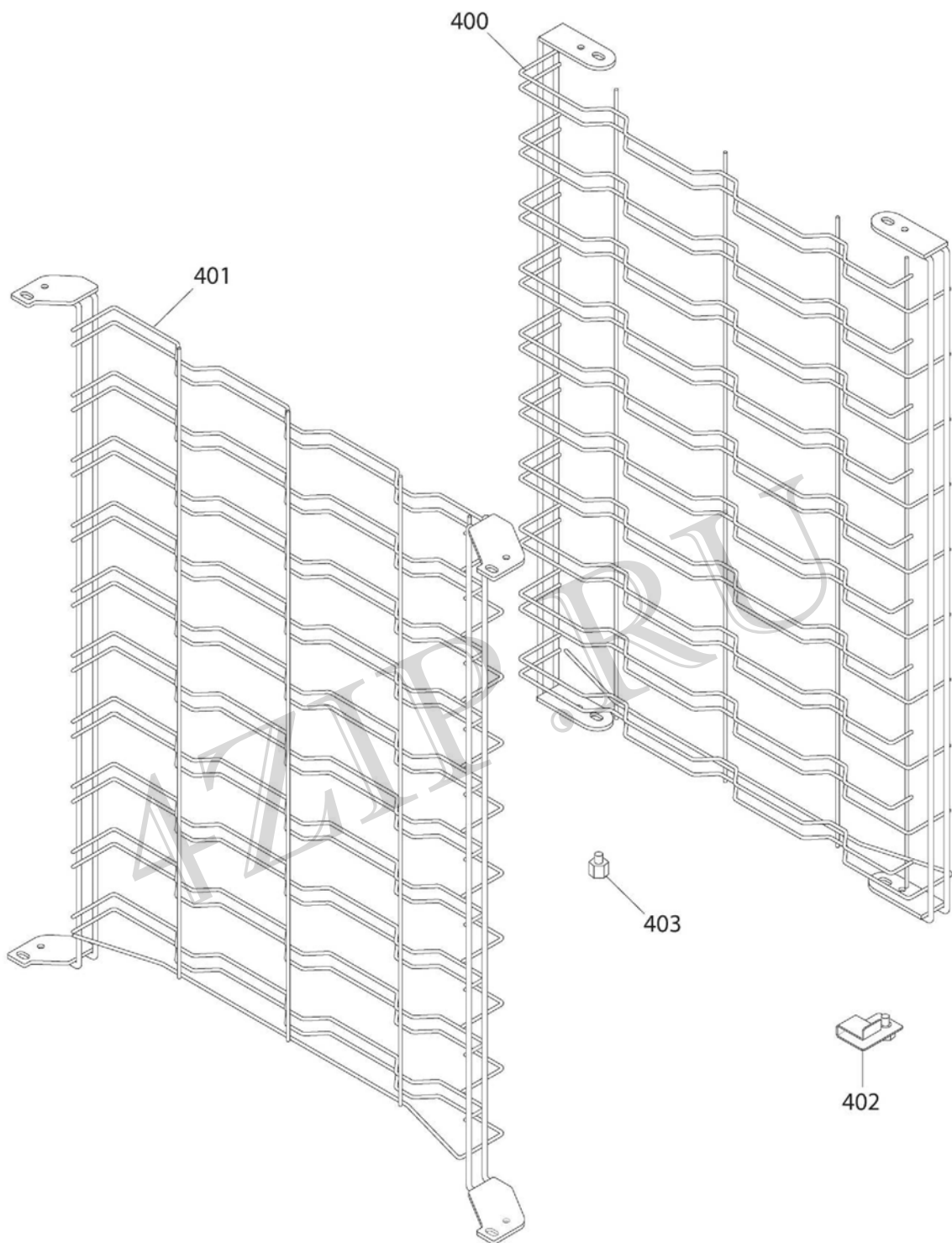


??????	268200									
??????	875400T00		???????? 5				Electrical components			
Поз.	Код запчас	Код Alias	Замена на	S	Инфо	Ком пл	Тех. Бюллет	Описание	Заметки	Цена (Euro)
0300	0C5600	0806874001	0C4875					KNOB	Level C e B	
0301	051263	0214114900		S				LOCK NUT	Level C e B	3,80
0302	002727	0508836400		S				WASHER	Level C e B	1,00
0303	002662	0516807301						BUSH	Level C e B	5,90
0304	0C4948	0675855002						ADHESIVE MEMBRANE; ONE; LIV.B	for Level B FCZ Group	62,00
0304	0C4949	0675855103						ADHESIVE MEMBRANE; ONE; LIV.C	for Level C FCZ Group	62,00
0304	0C6548	0548400400						ADHESIVE MEMBRANE	for TOUCH AOS Group	86,00
0304	0C6551	0548400B00						ADHESIVE MEMBRANE	for TOUCH FCZ Group	81,00
0304	0C6552	0548400D00						ADHESIVE MEMBRANE	for Level B AOS Group	86,00
0304	0C6555	0548400H00						ADHESIVE MEMBRANE	for Level C AOS Group	86,00
0304	0C8083	0548401800						ADHESIVE MEMBRANE; ONE 06 LIV.C	for Level C Bakery	156,00
0304	0C8705	0548401F00							For Level Touch "K" AOS Group	68,00
0305	0C4899	0873895402						CONTROL PANEL; ASSY; ONE 061 LIV.B	for Level B FCZ Group	192,00
0305	0C4900	0873895502						CONTROL PANEL; ASSY; ONE 061 LIV.C	for Level C FCZ Group	183,00
0305	0C4930	0831844900						AIR FILTER; LW 061-101 AOSQ		177,00
0305	0C6580	0875401601						CONTROL PANEL WITH MEMBRANE	for TOUCH AOS Group	302,00
0305	0C6581	0870400200						CONTROL PANEL; 061 LIV.B	for Level B AOS Group	235,00
0305	0C6590	0870400D00						CONTROL PANEL	for TOUCH FCZ Group	191,00
0305	0C6591	0870400F00						CONTROL PANEL; 061 LIV.C	for Level C AOS Group	235,00
0305	0C8713	0875401W00							For Level Touch "K" AOS Group	316,00
0307	0C0041	0675838802		S				USER INTERFACE	for Level B	328,00
0307	0C4891	0675854600			D		PDD2011-09	USER INTERFACE BOARD	for Level C	328,00
0307	0C6571	0675400A00		S				USER INTERFACE BOARD	for TOUCH level	770,00
0307	0C7350	0675854602						USER INTERFACE BOARD	For Level C (start s/n 120...)	328,00
0308	0C0042	0675837812		S				POWER BOARD; LIV A/B LW	for level B e C	579,00
0308	0C3750	0546814001	0C3751					SPACER; 6.6		1,00
0308	0C6570	0675400801		S				MOTHERBOARD; COP20-T	for TOUCH level	417,00
0309	0C5833	0546824600		S				BUTTON EXTENSION; L=7,4MM		1,00
0310	0C6564	0633847400						SHIELDED CABLE	for TOUCH level	21,70
0310	0C6565	0638400P00			D			EXTENSION CABLE	for TOUCH level	13,40
0310	0C6566	0638400Y00		S				EXTENSION; USB-A	for TOUCH level	10,20
0311	058771	0652800901								
0311	0C1480	0652803300		S				FUSE; 5*20 6,3A T; USA	for USA models	1,10
0311	0C2230	0652805100		S				FUSE; 6,3*32 FAST 6,3A 500V OMEGA GF6322	for Marine models	3,80
0311	0C2236	0652805200						FUSE; 1.6A FAST 5X20 WEBER 0401601	for 200V Japan models	1,70
0311	0C2301	0652803900		S				FUSE; OMEGA 800MA (COD. ST22180)		1,20

??????	268200										
??????	875400T00		???????? 5				Electrical components				
Поз.	Код запчас	Код Alias	Замена на	S	Инфо	Компле	Тех. Бюллет	Описание	Заметки	Цена (Euro)	
0311	0C3650	0652804900	0C3651	S				FUSE; 6,3X32 FAST3,15A 500V	for Marine models		
0311	0C6034	0652803100						FUSE; TIME-LAG; 5X20 T1.6A	for 200V Japan models	1,20	
0311	0C6946	0652400000						FUSE; 500V-3,15A; 6,3X32MM	For 480V	5,10	
0312	0C2228	0652804800						FUSE CARRIER; SCHURTER FEC 0031.1631+003	for Marine models	16,90	
0312	0F0031	0652802100		S				FUSE HOLDER		14,10	
0313	006314	0646810802						SAFETY THERMOSTAT; 338 C	for USA models	110,00	
0313	007042	0646812200		S	C			SAFETY THERMOSTAT; 338 C		85,68	
0314	002628	0508840801		S				FLANGE		3,70	
0315	002627	0574804900		S				LAMP GLASS		9,30	
0316	002626	0543842000		S				LAMP HOLDER GASKET		22,10	
0317	0C4396	0660808300		S	C			HALOGEN LAMP; 12V-10W 300GR C.		6,12	
0318	007055	0660806401		S				LAMP HOLDER		19,30	
0319	007081	0508896801						JALOUSIE		18,70	
0320	0C5501	0680802300	0C0883					GEARMOTOR; 230V-50HZ			
0320	0C5502	0680802400	0C1479					GEARMOTOR; 24V-60HZ; USA	for USA models		
0321	0C5525	0856832702						STEM; 6-10 1/1 ELECTRIC		17,60	
0322	007053	0543828600						GASKET		18,70	
0323	0C5527	0831855100						AIR DUCT; ASSY; 6 1/1 ELETRIC		61,00	
0324	0C4106	0624811000		S				FAN; 220/240V 50/60HZ		39,10	
0325	049303	0694605400		S				RADIO INTERFERENCE FILTER	not for Marine e USA	19,10	
0326	058875	0639805201						TERMINAL BOARD		23,60	
0326	0C6028	0639813100			D			TERMINAL BOARD; TXM60	for Japan models	95,00	
0326	0F0035	0639808700						TERMINAL BOARD	for USA models	24,00	
0327	047541	0694604400		S				CAPACITOR; 12,5MF	for Level A e B not for USA models	12,40	
0327	0C5526	0694806000						CAPACITOR; 8 MF	for Level C	12,30	
0328	007046	0624807100						TRANSFORMER	for 200V Japan models	84,00	
0328	0C0949	0624807700						TRANSFORMER	for Marine models	155,00	
0328	0C6400	0624400100		S		Kit		TRANSFORMER; KIT		69,00	
0329	058557	0648803001	058857					RELAY	for Level TOUCH e B		
0329	088267	0648722900		S				RELAY; COIL 200-240VAC	for Level TOUCH USA	40,50	
0330	007047	0624807002		S				FEEDER BOARD	for Level TOUCH	137,00	
0331	006879	0648807400		S	C			CONTACTOR; 220-240V 50HZ/240-264V 60HZ	for 200V, 208, 230V,240V	34,68	
0331	088477	0648807300		S	C			CONTACTOR; 220-240V 50HZ/240-264V 60HZ		26,52	
0331	088557	0648400000		S	C			CONTACTOR; 220-230V 50HZ/240V 60HZ	For 480V	32,64	
0332	0C4459	0509803900		S				LAMP CAP		5,80	
0333	0F0045	0648805200						SWITCH; 240V-1,5A	for Marine models	21,10	

??????	268200									
??????	875400T00		???????? 5					Electrical components		
Поз.	Код запчас	Код Alias	Замена на	S	Инфо	Компле	Тех. Бюллет	Описание	Заметки	Цена (Euro)
0334	0C6945	0624400000						TRANSFORMER; 450VA 12/24/120/208/220/240	For USA models	209,00
0335	056466	0648802601		S				RELAY	for Level TOUCH USA	27,30
0336	0C5451	0543843500		S				LAMP HOLDER GASKET		15,90
0337	0C2983	0646814900		S	C			OVERTEMPERATURE LIMITER; 140GR 3P	for Level TOUCH e B	71,40
0338	0C6547	0546400200		S				BOWL; FOR USB	for TOUCH level	3,10
0339	0C6546	0541400A00		S				PLUG; PER USB	for TOUCH level	4,90
0340	0C8033	0675858601						BUTTON; 0/I; TOUCH	for TOUCH level	46,70
0341	088267	0648722900		S				RELAY; COIL 200-240VAC		40,50

4ZIP.RU



??????	268200									
??????	875400T00	???????? 6	Accessories							
Поз.	Код запчас	Код Alias	Замена на	S	Инфо	Компле	Тех. Бюллет	Описание	Заметки	Цена (Euro)
0000	0C0325	0830899001		S				PROBE; L=850MM	for Level TOUCH e B	39,00
0000	0C6539	0830899101		S				TEMPERATURE PROBE; L=1100MM	for Level TOUCH e B	41,00
0000	0C7028	0830400N00		S				SENSOR		42,90
0400	0C5015	0831852402						CHROME GRID; DX ONE 061	for P80 models	89,00
0400	0C5018	0831850400						CHROME GRID; DX ONE 061		90,00
0401	0C5014	0831852302						CHROME GRID; SX ONE 061	for P80 models	94,00
0401	0C5019	0831850500						CHROME GRID		95,00
0402	0C4961	0806872800						SUPPORT		28,70
0403	0C5620	0511828100						BAKING PAN SUPPORT		11,30

4ZIP.RU